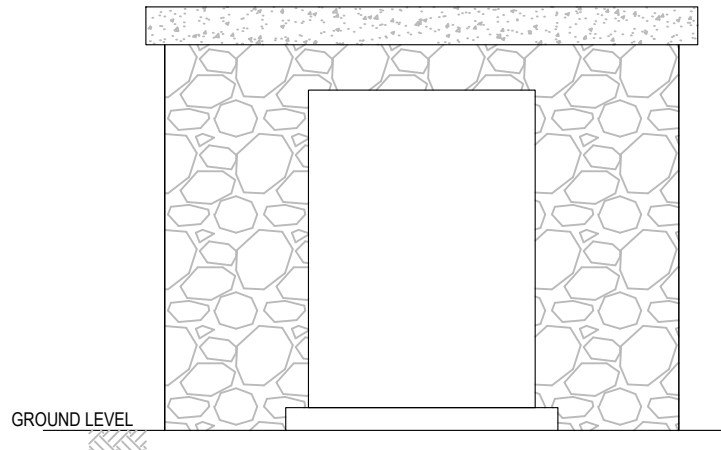


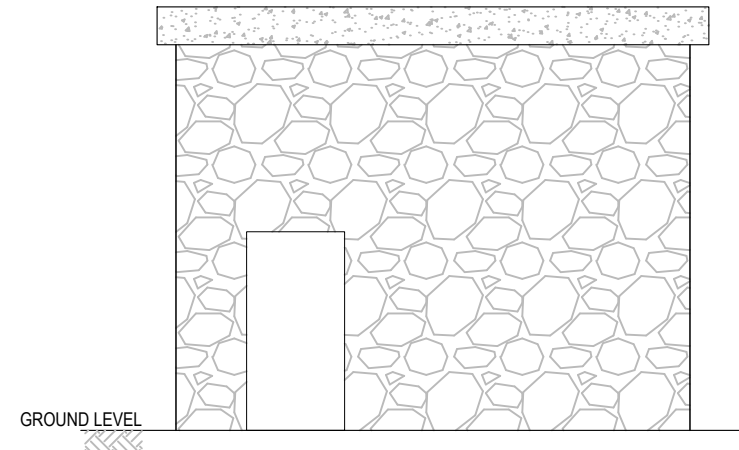
A3 "neither this drawing (incl. All drawings in the drawing set related to this general notes drawing) nor any part thereof can be reproduced, transmitted or stored in any form or nature or used for any purpose other than the agreed use for this specific project without the written consent of Langan Consulting Engineers, copyright holder." further, Langan Consulting Engineers shall not be liable for the use by any person of the drawing or any part thereof for any purpose other than that for which the same were prepared for this specific project."

NOTES:

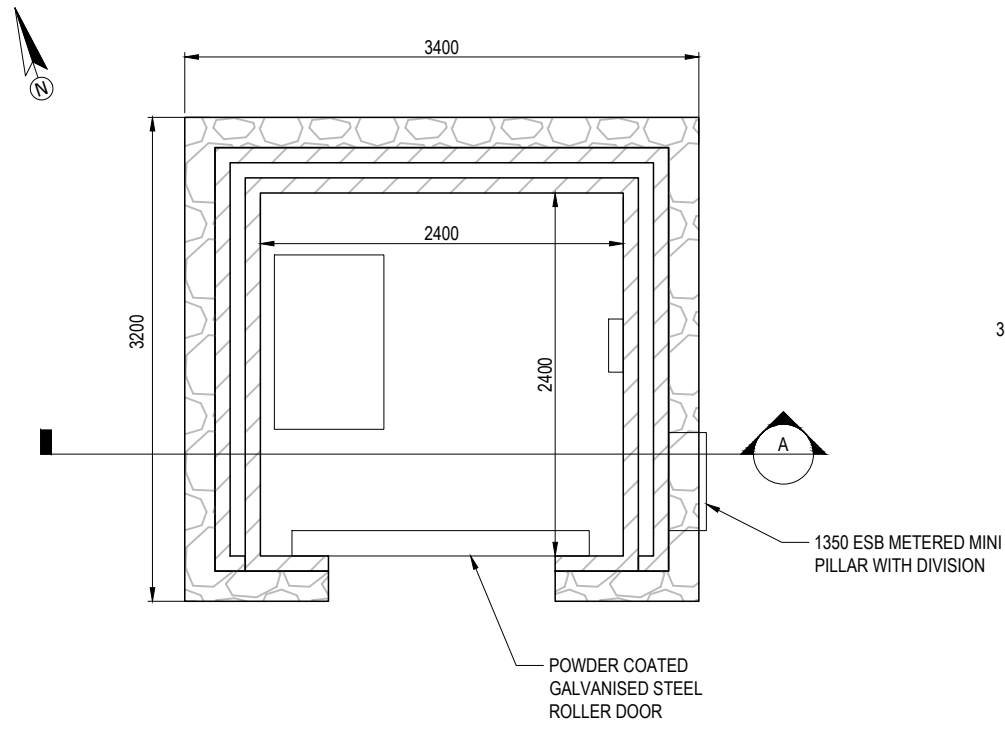
1. ALL DIMENSIONS IN MILLIMETERS UNLESS OTHERWISE NOTED.
2. ALL COORDINATES ARE IN METERS AND RELATE TO ITM (IRISH TRANSVERSE MERCATOR) UNLESS OTHERWISE NOTED.
3. DO NOT SCALE FROM DRAWINGS, USE FIGURED DIMENSIONS ONLY. ALL DIMENSIONS SHALL BE CONFIRMED ON SITE.
4. DRAWINGS ARE FOR THE PURPOSES OUTLINED IN THE TITLE BOX ONLY.



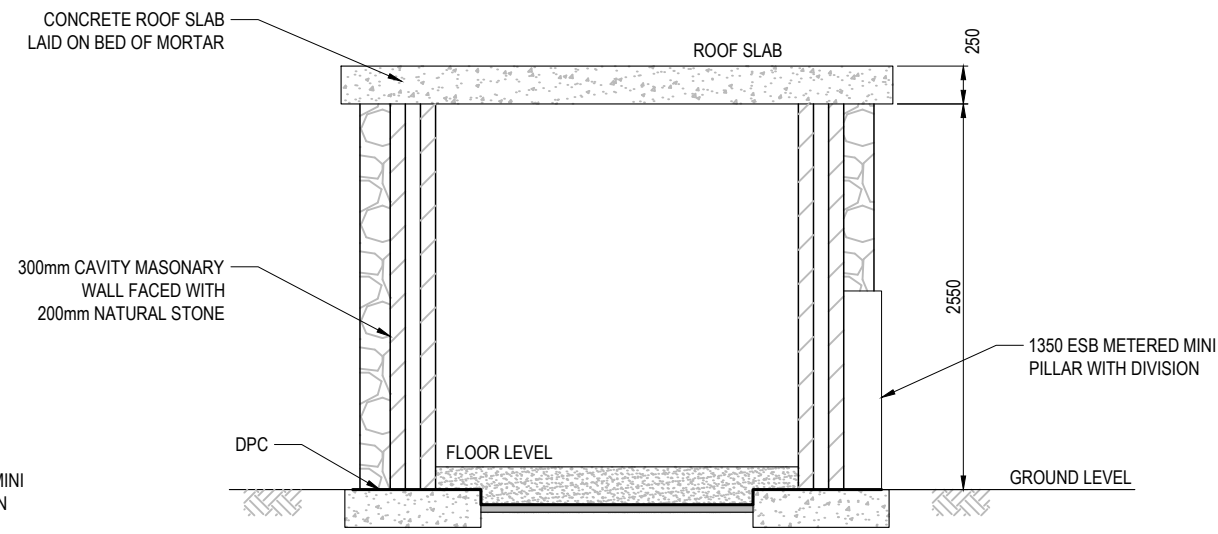
FRONT ELEVATION



SIDE VIEW



PLAN VIEW



SECTION A

PLANNING

NOT TO BE USED FOR CONSTRUCTION

THIS DRAWING TO BE READ IN CONJUNCTION WITH THE PROJECT SPECIFICATIONS AND REPORTS.

| DATE | REV | BY | CHK | DESCRIPTION |
|----------|------|----|-----|----------------|
| 11/09/20 | PL01 | BJ | JL | PLANNING ISSUE |

REVISION HISTORY

Ph: +353 (0)98 689611 Mayo
+353 (0)91 396335 | Galway
Email: info@langaneng.ie
Web: www.langaneng.ie
Leeson Enterprise Centre, Altamount Street,
Westport, Co. Mayo F28 ET85
Galway Technology Centre, Mervue Business
Park, Mervue, Galway H91 D932



| | |
|---|----------------------|
| PROJECT TITLE: PROPOSED HELIPAD | DATE: SEPTEMBER 2020 |
| AT: BELLAVAUM, INISHTURK ISLAND, CO. MAYO. | DWG No: 2656 |
| CLIENT: MAYO COUNTY COUNCIL | SCALE: 1:50 @ A3 |
| JOB NUMBER: 19047 | DRAWING BY: BJ |
| DRAWING TITLE: PROPOSED UTILITIES SHED PLAN, ELEVATIONS & SECTION | CHECKED BY: JL |
| | REVISION: PL01 |