

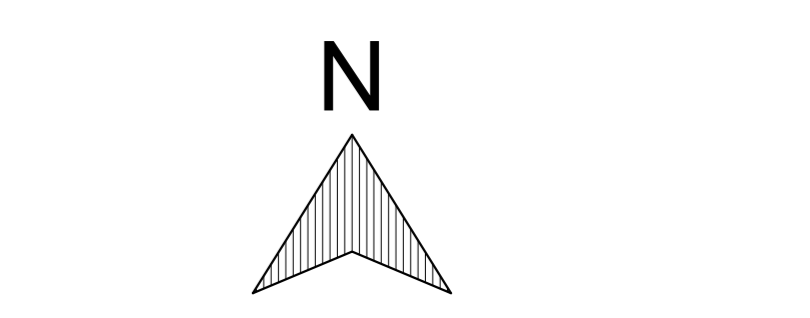
© Copyright - This drawing is protected by copyright and is the property of Mayo County Council. It may not be used, reproduced or disclosed to anyone without the prior written approval of Mayo County Council.

- All drawings are to be read in conjunction with other consultant's drawings
- All dimensions, unless otherwise stated, are given in millimetres and must be confirmed and checked by the Contractor on site.
- Levels are generally given in metres from a specified datum. All Levels must be confirmed and checked by the Contractor on site.
- Any discrepancies on this drawing are to be brought to the attention of Mayo County Council Architects immediately.
- Do not scale this drawing. Written dimensions only to be used.

Includes Ordnance Survey Ireland data reproduced under OSI licence number : NMA 2020 / MAYO COUNTY COUNCIL
 Unauthorised reproduction infringes Ordnance Survey Ireland and Government of Ireland copyright Ordnance Survey Ireland 2020

Rev. No.	Date	Comment

Status Key		D1		D2	
S0	SHARED FOR INFORMATION	D1	COSTING	D2	TENDER
S1	WORK IN PROGRESS	D3	CONTRACTOR DESIGN		
S2	COORDINATION				
S3	INFORMATION				
S4	REVIEW / COMMENT				
	CONST. APPROVAL	AT	PER / FSC / IAC	A2	CONSTRUCTION
		AB	AS-BUILT	AS-BUILT	AS-BUILT



COMHAIRLE CONTAE MHAIGH EO/
 MAYO COUNTY COUNCIL
 Ceantar Bardasach Bhéal an Átha
 Ballina Municipal District
 Planning and Development Acts 2000-2021
 Planning and Development Regulations
 2001-2021

DESCRIPTION OF WORKS:
 The Construction of new public footpaths & crossings, road resurfacing and traffic flow changes (new one-way system), with all associated hard landscaping and ancillary works at Killala, Co. Mayo

NATURE AND EXTENT OF DEVELOPMENT:
 The Construction of new and realignment of existing public footpaths, raised pedestrian crossings, road resurfacing and traffic flow changes (new one-way system), with all associated hard landscaping and ancillary works.

LOCATION:
 Church Street, Market Street, and Seaview Terrace, Killala.

SITE NOTICE LOCATION
 (Yellow circle symbol)

SITE SUBJECT TO PLANNING APPLICATION OUTLINED IN RED.
 (Red outline symbol)

EXTRACT FROM O.S. MAP NO. 1120.
 Ordnance Survey Ireland data reproduced under OSI Licence number NMA 2021 / Mayo County Council.

Unauthorised reproduction infringes Ordnance Survey Ireland and Government of Ireland copyright
 © Ordnance Survey Ireland 2021.

LEGEND:

- Proposed Blacktop road resurfacing.
- Proposed paths repairs/new.
- Proposed Landscaping.
- Proposed Tree planting.



ARCHITECTS DEPARTMENT
 MAYO COUNTY COUNCIL



Project No:	Project Title:	Dwg Type:	Status:
	TOWN & VILLAGE IMPROVEMENTS AT KILLALA, CO. MAYO	DR/SC	S0
Drawing Title:		Drawing No.:	Revision:
	SITE LOCATION PLAN	E(-)01	/
Drawn By:	Proj No - Orig - Cat - Lvl - Type - Role - No. - Status	Scale:	First Issue:
Checked By:	MK A-123 - MCC - - -DesignA - - Design	1:1000	26.10.2021



PART 8 APPLICATION

LEGEND:

- Proposed Blacktop road resurfacing.
- Proposed paths repairs/new.
- Proposed Landscaping.
- Proposed Tree planting.

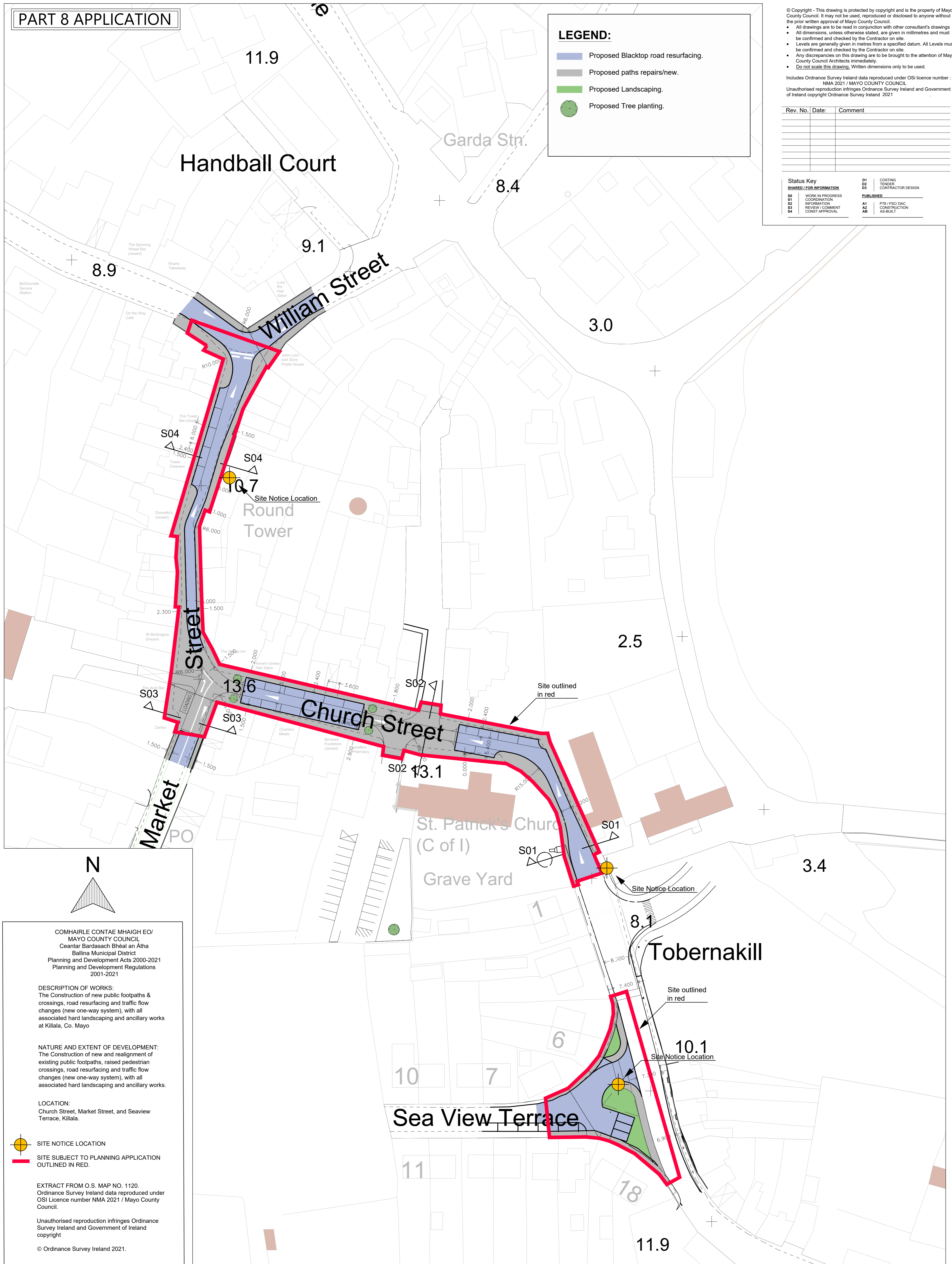
© Copyright - This drawing is protected by copyright and is the property of Mayo County Council. It may not be used, reproduced or disclosed to anyone without the prior written approval of Mayo County Council.

- All drawings are to be read in conjunction with other consultant's drawings
- All dimensions, unless otherwise stated, are given in millimetres and must be confirmed and checked by the Contractor on site.
- Levels are generally given in metres from a specified datum. All Levels must be confirmed and checked by the Contractor on site.
- Any discrepancies on this drawing are to be brought to the attention of Mayo County Council Architects immediately.
- Do not scale this drawing. Written dimensions only to be used.

Includes Ordnance Survey Ireland data reproduced under OSI licence number : NMA 2021 / MAYO COUNTY COUNCIL
 Unauthorised reproduction infringes Ordnance Survey Ireland and Government of Ireland copyright Ordnance Survey Ireland 2021

Rev. No.	Date	Comment

Status Key		D1	COSTING
S0	SHARED / FOR INFORMATION	D2	TENDER
S1	WORK IN PROGRESS	D3	CONTRACTOR DESIGN
S2	COORDINATION	PUBLISHED	
S3	INFORMATION	A1	PTB / FSC / IAC
S4	REVIEW / COMMENT	A2	CONSTRUCTION
	CONST APPROVAL	AB	AS-BUILT



COMHAIRLE CONTAE MHAIGH EO/
 MAYO COUNTY COUNCIL
 Ceantar Bardasach Bhéal an Átha
 Ballina Municipal District
 Planning and Development Acts 2000-2021
 Planning and Development Regulations
 2001-2021

DESCRIPTION OF WORKS:
 The Construction of new public footpaths & crossings, road resurfacing and traffic flow changes (new one-way system), with all associated hard landscaping and ancillary works at Killala, Co. Mayo

NATURE AND EXTENT OF DEVELOPMENT:
 The Construction of new and realignment of existing public footpaths, raised pedestrian crossings, road resurfacing and traffic flow changes (new one-way system), with all associated hard landscaping and ancillary works.

LOCATION:
 Church Street, Market Street, and Seaview Terrace, Killala.

- SITE NOTICE LOCATION
- SITE SUBJECT TO PLANNING APPLICATION OUTLINED IN RED.

EXTRACT FROM O.S. MAP NO. 1120.
 Ordnance Survey Ireland data reproduced under OSI Licence number NMA 2021 / Mayo County Council.

Unauthorised reproduction infringes Ordnance Survey Ireland and Government of Ireland copyright
 © Ordnance Survey Ireland 2021.

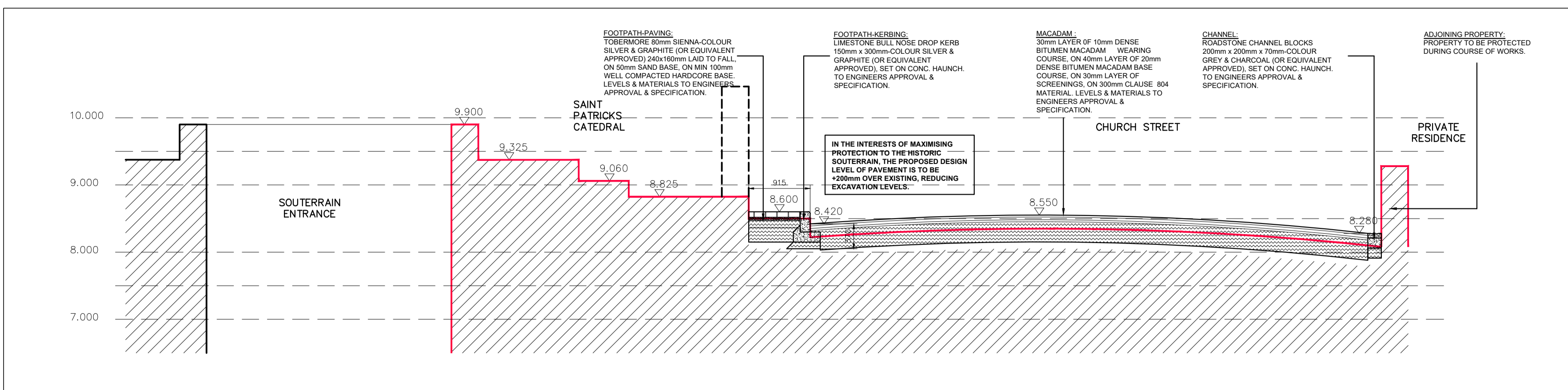


ARCHITECTS DEPARTMENT
MAYO COUNTY COUNCIL

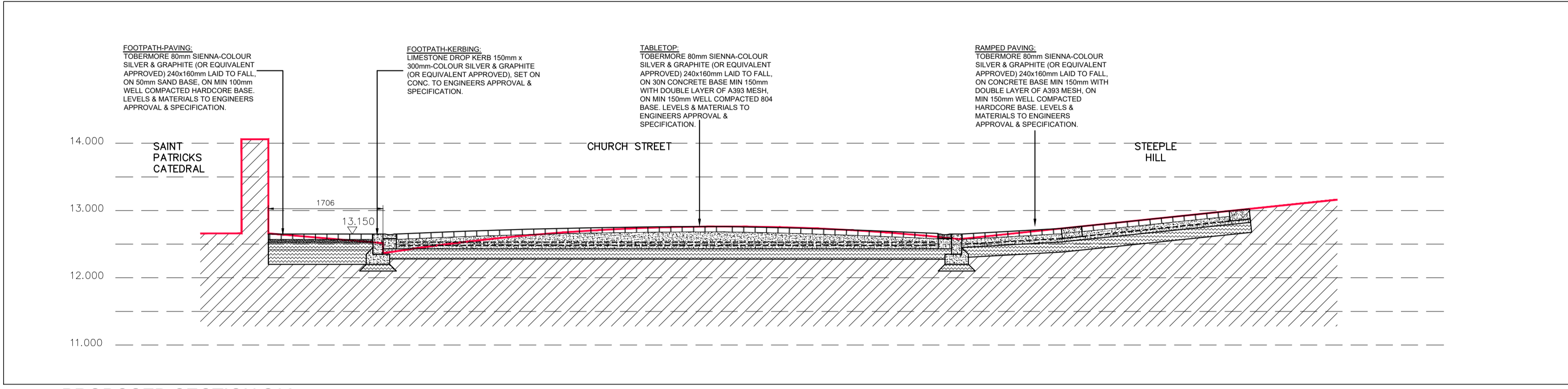


Project No:	Project Title:	Dwg Type:	Status:
	TOWN & VILLAGE IMPROVEMENTS AT KILLALA, CO. MAYO	DR/SC	S0
Drawing Title:		Drawing No.:	Revision:
	SITE LAYOUT PLAN	E(-)02	/
Drawn By:	Proj No - Orig - Cat - Lvl - Type - Role - No. - Status	Scale:	First Issue:
Checked By:	RM A-123 - MCC - - -DesignA - - Design	1:500	25.10.2021

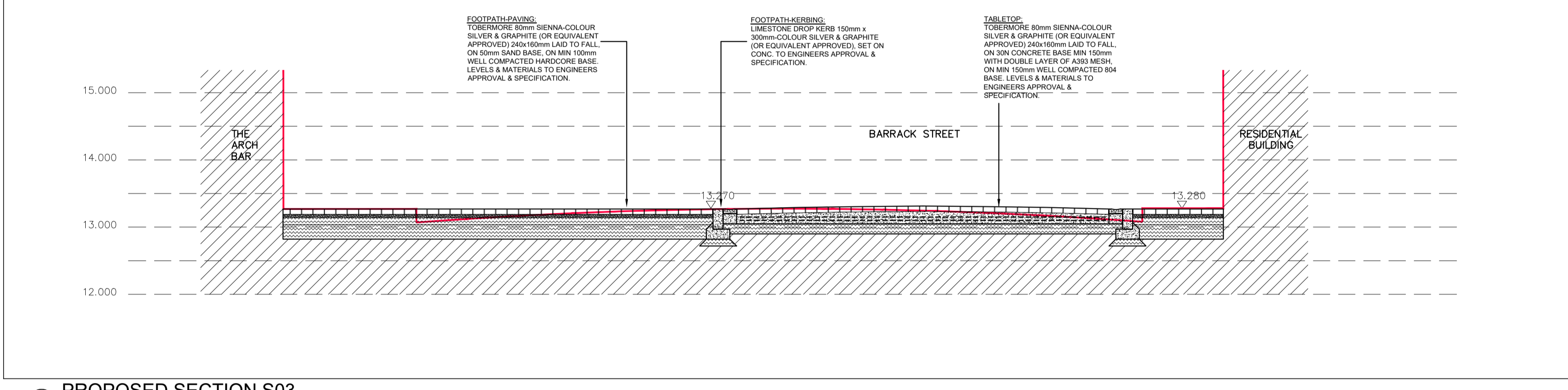




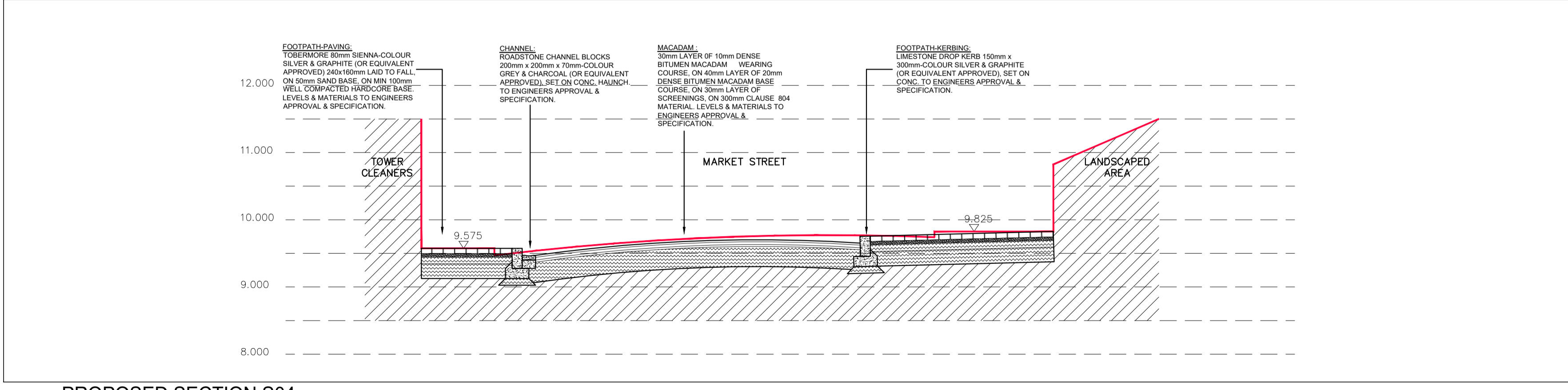
1 PROPOSED SECTION S01
Scale 1:50 @ A1



2 PROPOSED SECTION S02
Scale 1:50 @ A1



1 PROPOSED SECTION S03
Scale 1:50 @ A1



1 PROPOSED SECTION S04
Scale 1:50 @ A1

COMHAIRLE CONTAE MHAIGH EO/
MAYO COUNTY COUNCIL
Ceantar Bardasach Bhéal an Átha
Ballina Municipal District
Planning and Development Acts 2000-2021
Planning and Development Regulations
2001-2021

LOCATION:
Church Street, Market Street, and Seaview
Terrace, Killala.

SITE NOTICE LOCATION

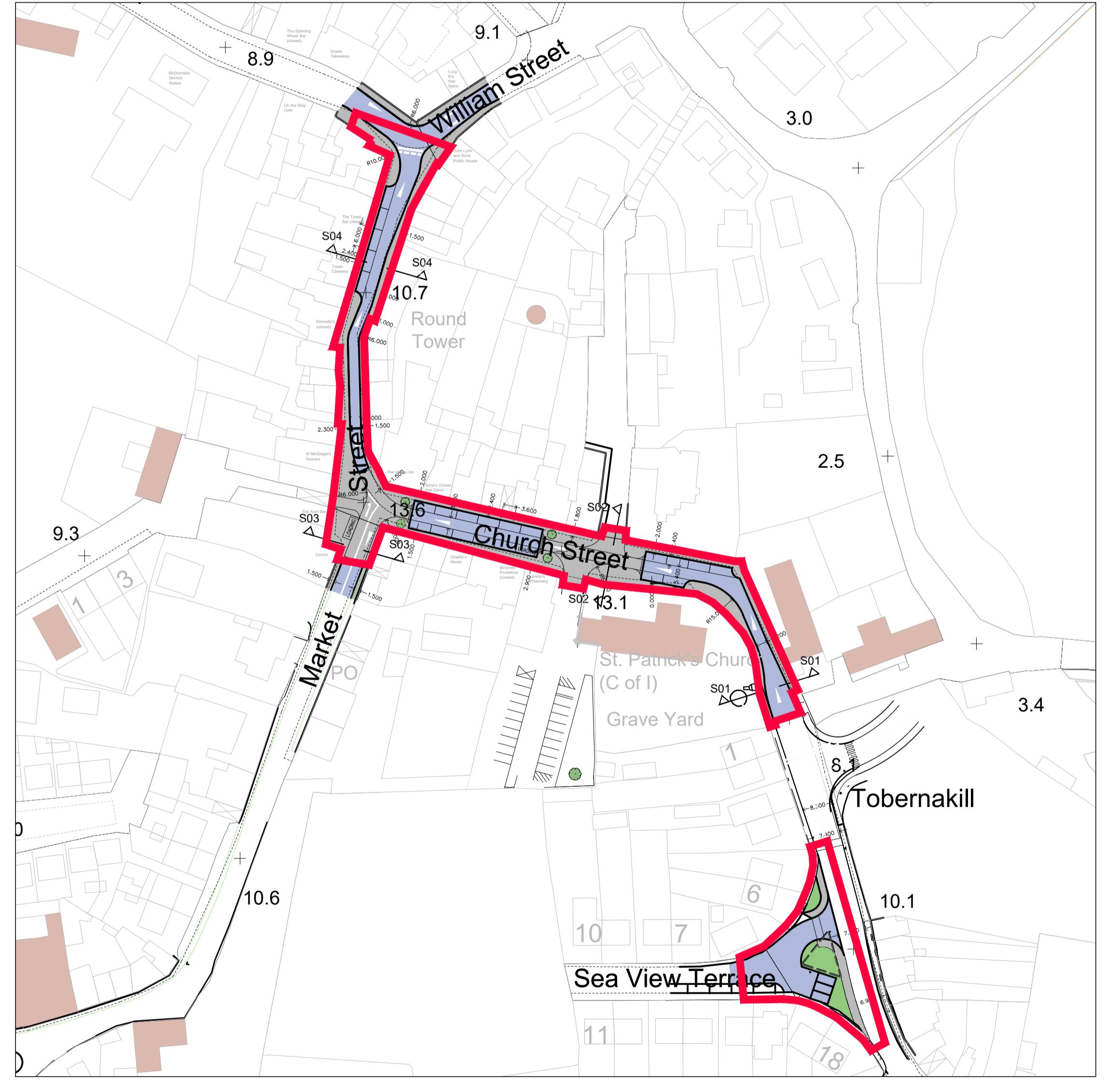
DESCRIPTION OF WORKS:
The Construction of new public footpaths & crossings, road resurfacing and traffic flow changes (new one-way system), with all associated hard landscaping and ancillary works at Killala, Co. Mayo

NATURE AND EXTENT OF DEVELOPMENT:
The Construction of new and realignment of existing public footpaths, raised pedestrian crossings, road resurfacing and traffic flow changes (new one-way system), with all associated hard landscaping and ancillary works.

EXTRACT FROM O.S. MAP NO. 1120.
Ordnance Survey Ireland data reproduced under OSI Licence number NMA 2021 / Mayo County Council.

Unauthorised reproduction infringes Ordnance Survey Ireland and Government of Ireland copyright

© Ordnance Survey Ireland 2021.



2 KEY PLAN
Scale 1:500 @ A1

Status Key		Rev. No.	Date:	Comment
SHARED / FOR INFORMATION				
S0	WORK IN PROGRESS			
S1	COORDINATION			
S2	INFORMATION			
S3	REVIEW / COMMENT			
S4	CONST. APPROVAL			
D1	COSTING			
D2	TENDER			
D3	CONTRACTOR DESIGN			
PUBLISHED				
A1	PTB / FSC DAC			
A2	CONSTRUCTION			
AB	AS-BUILT			



ARCHITECTS DEPARTMENT MAYO COUNTY COUNCIL



Project No: 0000	Project Title: Town Improvement Works at Killala,	Dwg Type: DR/SC	Status: S0
Drawing Title: Road Sections - Proposed		Drawing No.: E(-)03	Revision:
Scale: As shown		First Issue:	25.10.2021
Drawn By: MK	Proj No - Orig - Cat - Lvl - Type - Role - No. - Status A-123 - MCC - - Design A - - Design	Checked By: RM	



© Copyright - This drawing is protected by copyright and is the property of Mayo County Council. It may not be used, reproduced or disclosed to anyone without the prior written approval of Mayo County Council.

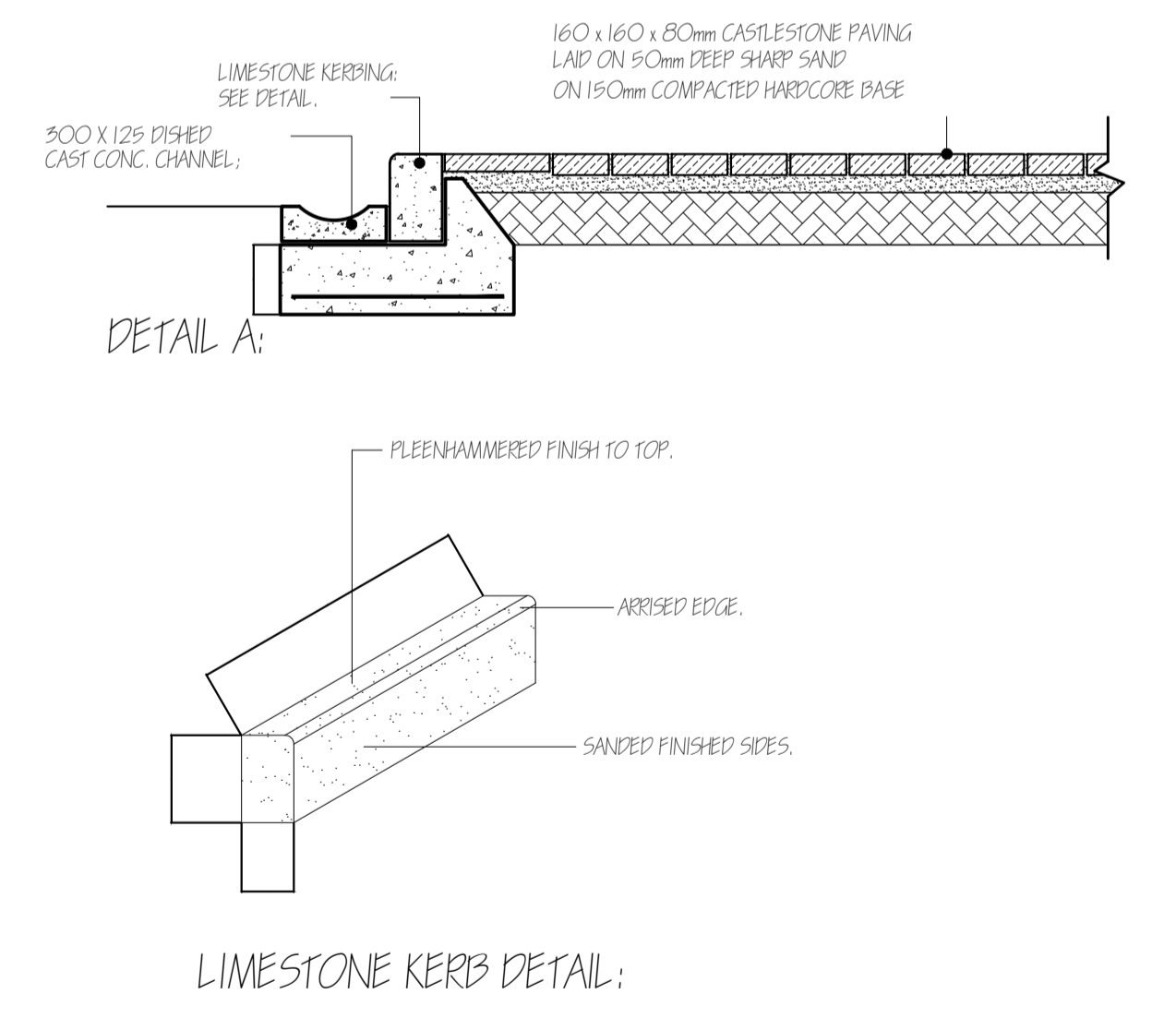
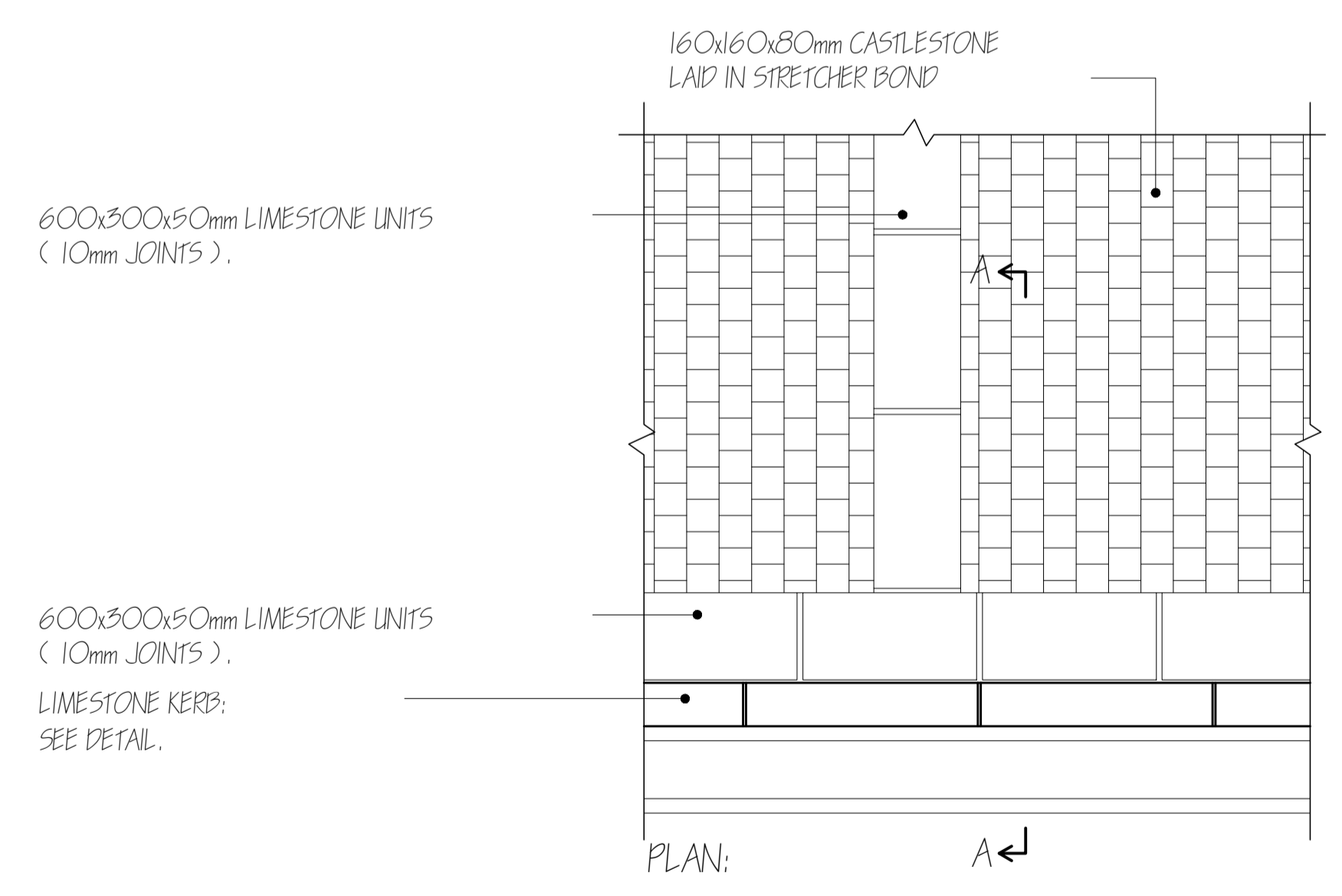
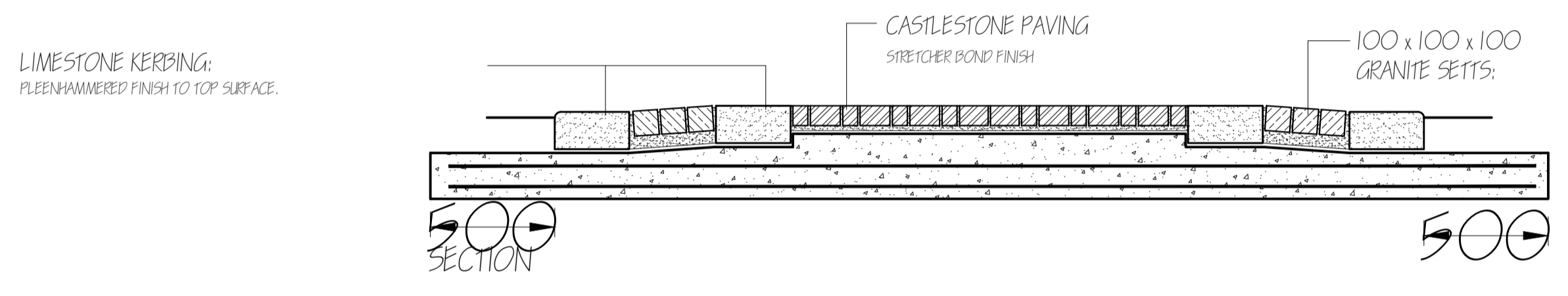
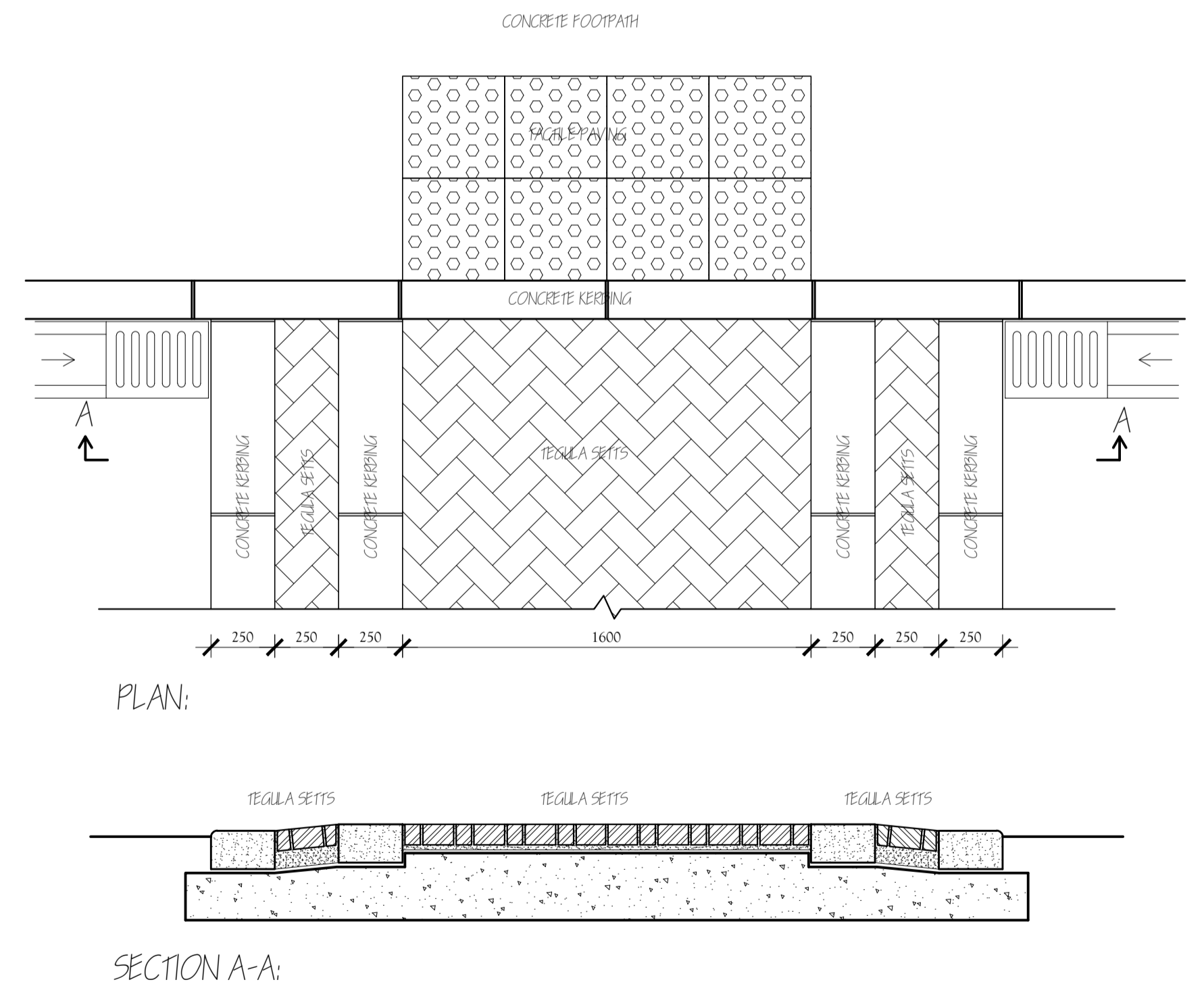
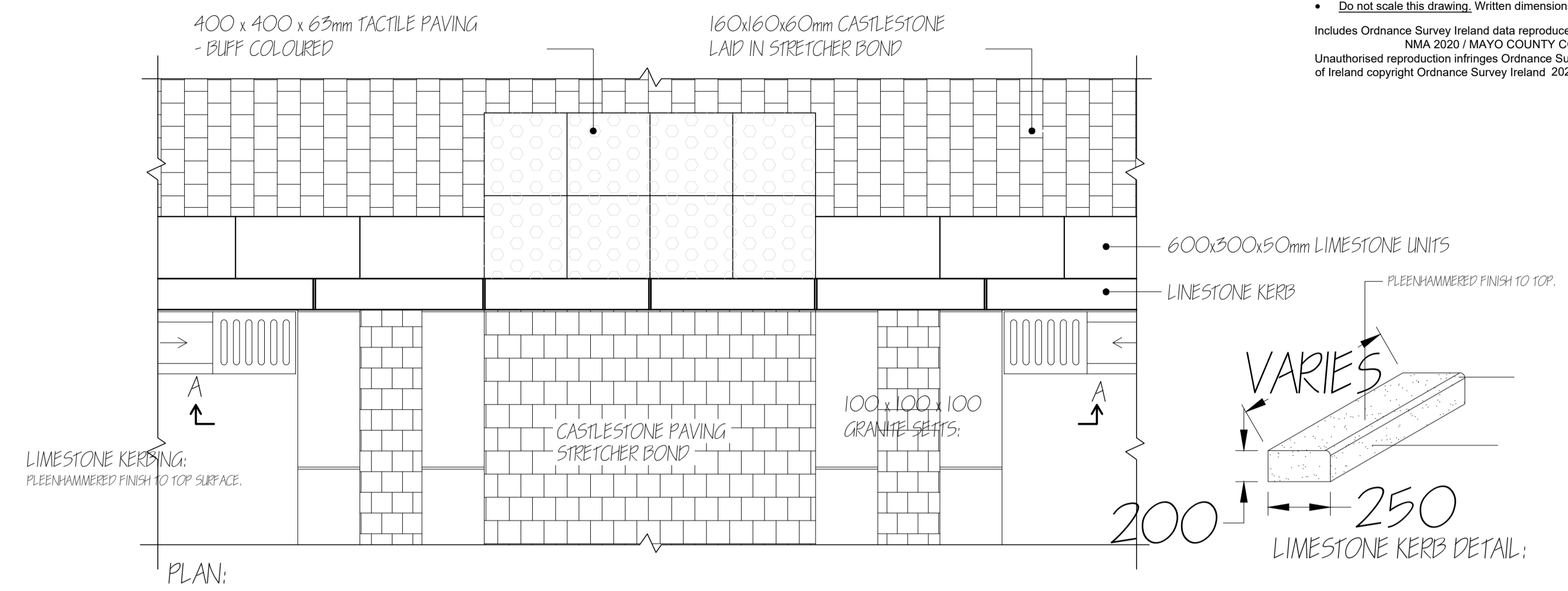
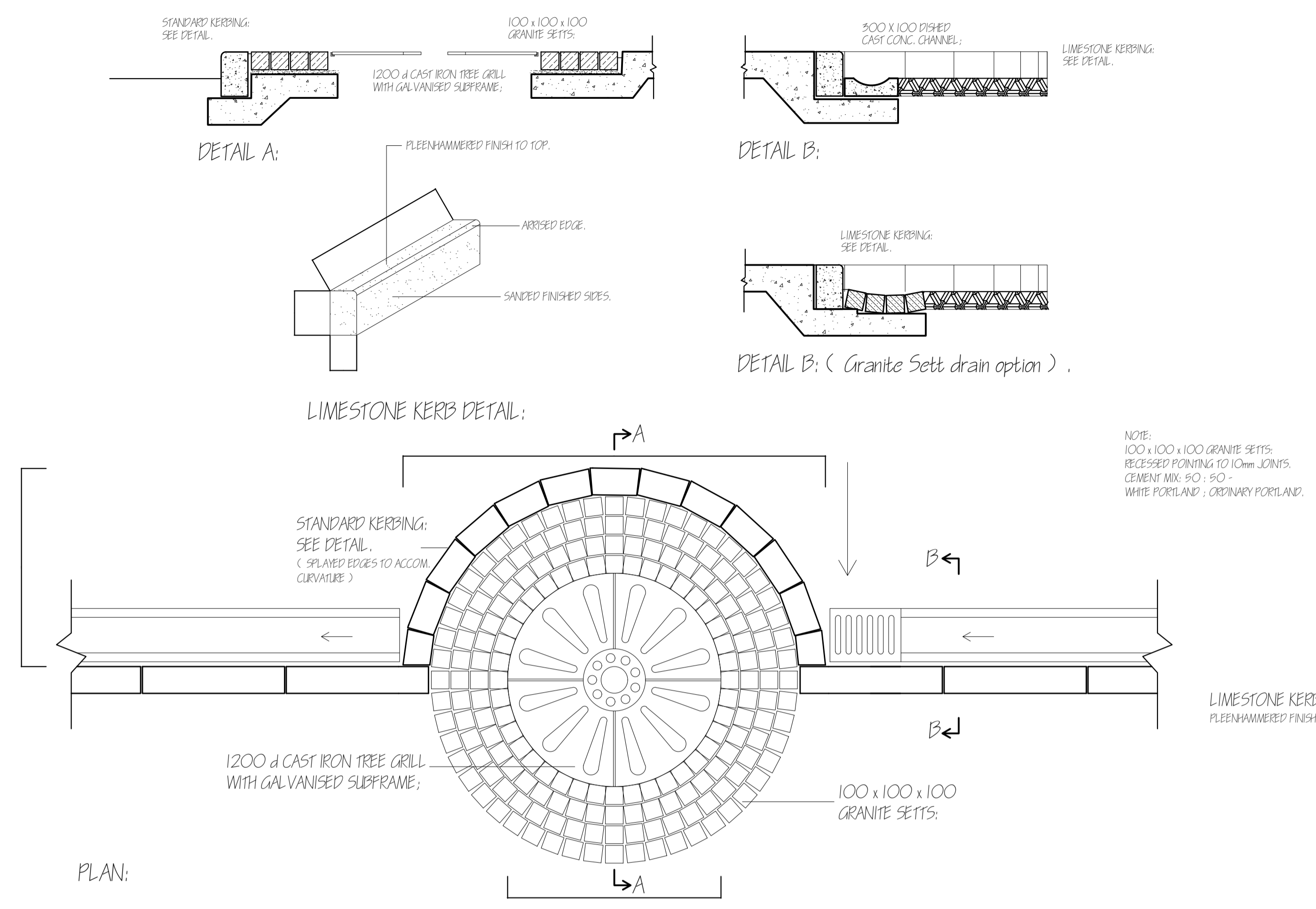
- All drawings are to be read in conjunction with other consultant's drawings
- All dimensions, unless otherwise stated, are given in millimetres and must be confirmed and checked by the Contractor on site.
- Levels are generally given in metres from a specified datum. All Levels must be confirmed and checked by the Contractor on site.
- Any discrepancies on this drawing are to be brought to the attention of Mayo County Council Architects immediately.
- Do not scale this drawing. Written dimensions only to be used.

Includes Ordnance Survey Ireland data reproduced under OSI licence number : NMA 2020 / MAYO COUNTY COUNCIL
Unauthorised reproduction infringes Ordnance Survey Ireland and Government of Ireland copyright Ordnance Survey Ireland 2020

© Copyright: This drawing is protected by copyright and is the property of Mayo County Council. It is not to be used, reproduced or disclosed to anyone without the prior written approval of Mayo County Council.

- All drawings are to be read in conjunction with other consultant's drawings.
- All dimensions, unless otherwise stated, are given in millimetres and must be confirmed and checked by the Contractor on site.
- Levels are generally given in metres from a specified datum. All Levels must be confirmed and checked by the Contractor on site.
- Any discrepancies on this drawing are to be brought to the attention of Mayo County Council Architects immediately.
- Do not scale this drawing. Written dimensions only to be used.

Includes Ordnance Survey Ireland data reproduced under OSI licence number: NMA 2020 / MAYO COUNTY COUNCIL
 Unauthorised reproduction infringes Ordnance Survey Ireland and Government of Ireland copyright Ordnance Survey Ireland 2020



DETAIL B: PEDESTRIAN CROSSING / TRAFFIC CALMING

Status Key		Rev. No.	Date:	Comment
SHARED / FOR INFORMATION				
S0	WORK IN PROGRESS			
S1	COORDINATION			
S2	INFORMATION			
S3	REVIEW / COMMENT			
S4	CONST. APPROVAL			
D1	COSTING			
D2	TENDER			
D3	CONTRACTOR DESIGN			
PUBLISHED				
A1	PTB / FSC DAC			
A2	CONSTRUCTION			
AB	AS-BUILT			

Mayo County Council, Architects Department, The Mall, Castlebar, Co. Mayo 094 9047695



ARCHITECTS DEPARTMENT MAYO COUNTY COUNCIL



Project No: 0000	Project Title: Town Improvement Works at Killala,	Dwg Type DR/SC	Status: S0
Drawing Title: Typical details	Drawing No. E(-)04	Revision:	
Scale: 1:50, varies	First Issue:		
Drawn By: MK	Proj No - Orig - Cat - Lvl - Type - Role - No. - Status A-123 - MCC - - Design A - - Design	Checked By: RM	25.10.2021

