

### ATEX BELOW GROUND ZONING

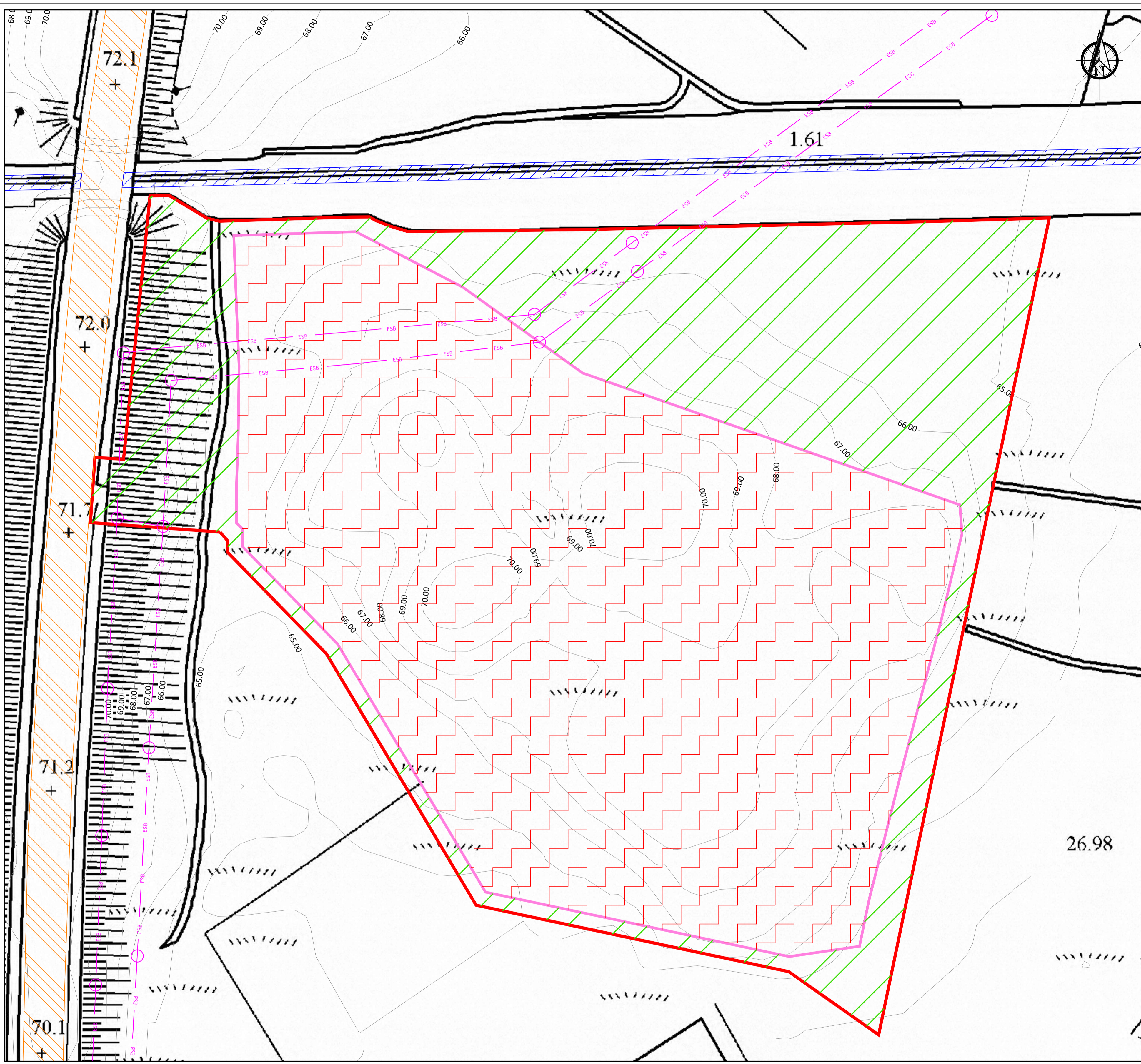
#### Hazardous Area Classification in accordance with Safety Health and Welfare at Work (Explosive Atmospheres) Regulations 2003 (SI 258 of 2003)

The Contractor's attention is drawn to recent legislation concerning explosive atmospheres, particularly on landfill sites. Schedule 1 of these Regulations classify hazardous places in terms of zones, on the basis of the frequency and duration of the occurrence of an explosive atmosphere. These zones are defined as follows:

- Zone 0:** A place in which an explosive atmosphere consisting of a mixture with air of flammable substances in the form of gas, vapour or mist is present continuously or for long periods or frequently.
- Zone 1:** A place in which an explosive atmosphere consisting of a mixture with air of flammable substances in the form of gas, vapour or mist is likely to occur in normal operation occasionally.
- Zone 2:** A place in which an explosive atmosphere consisting of a mixture with air of flammable substances in the form of gas, vapour or mist is not likely to occur in a normal operation but, if it does occur, will persist for a short period only.

For the purposes of this contract, with landfill gas as the flammable substance, the following zoning will apply:

- Zone 0:** All active landfill faces and excavations into the existing waste; all side risers, monitoring sleeves, passive gas vents, extraction wells and any services connected directly to the waste mass; all access chambers, manholes, pipe runs and ducting servicing landfill cells; areas which have temporary or intermediate capping; and any areas where methane gas is present continuously or for long periods or frequently. The Zone 0 classification shall extend around the perimeter of the areas described above by 3 m.
- Zone 1:** All remaining areas of the landfill excluding permanent and vented buildings.
- Zone 2:** All other areas not included in Zone 1.

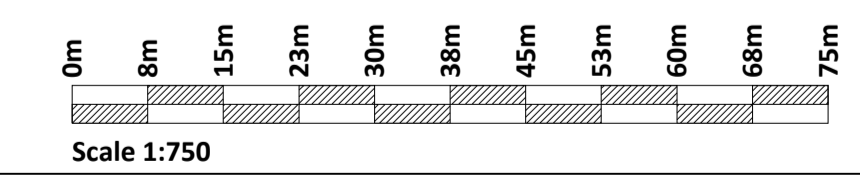
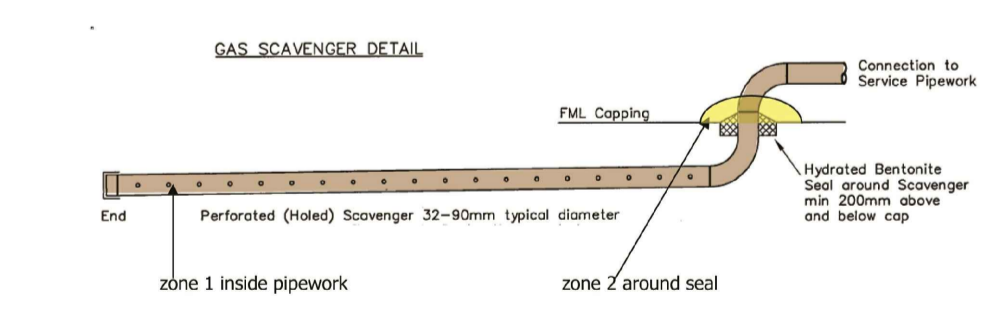
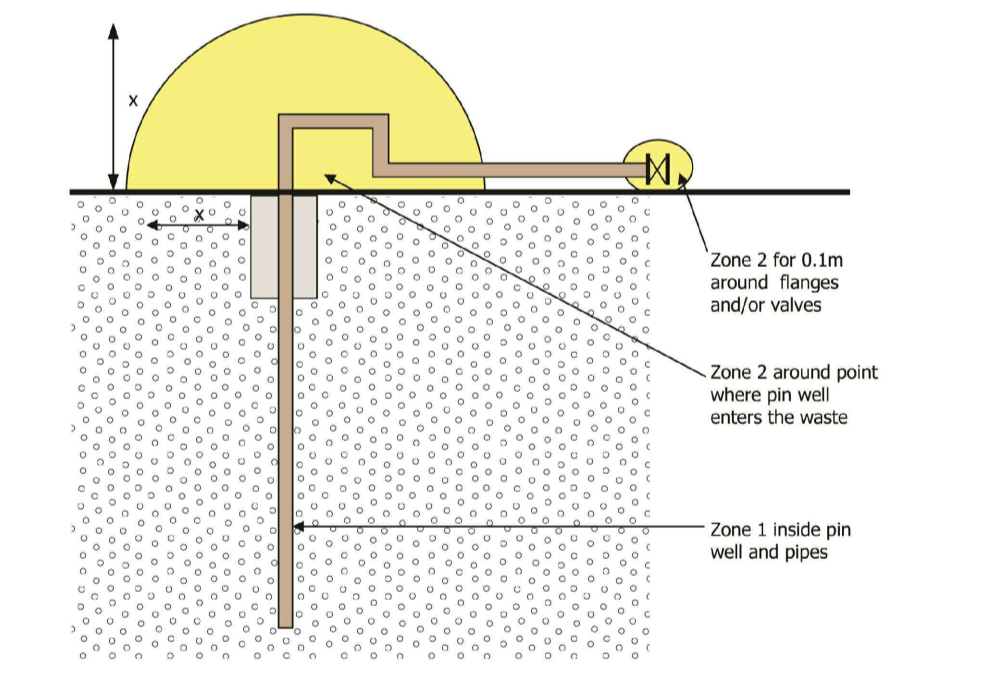
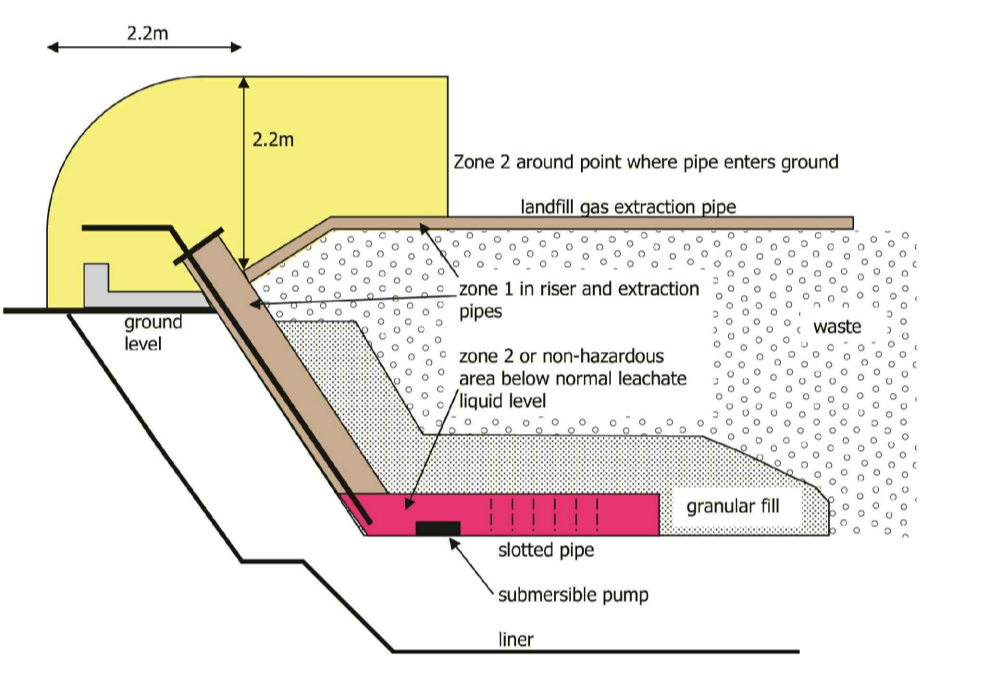
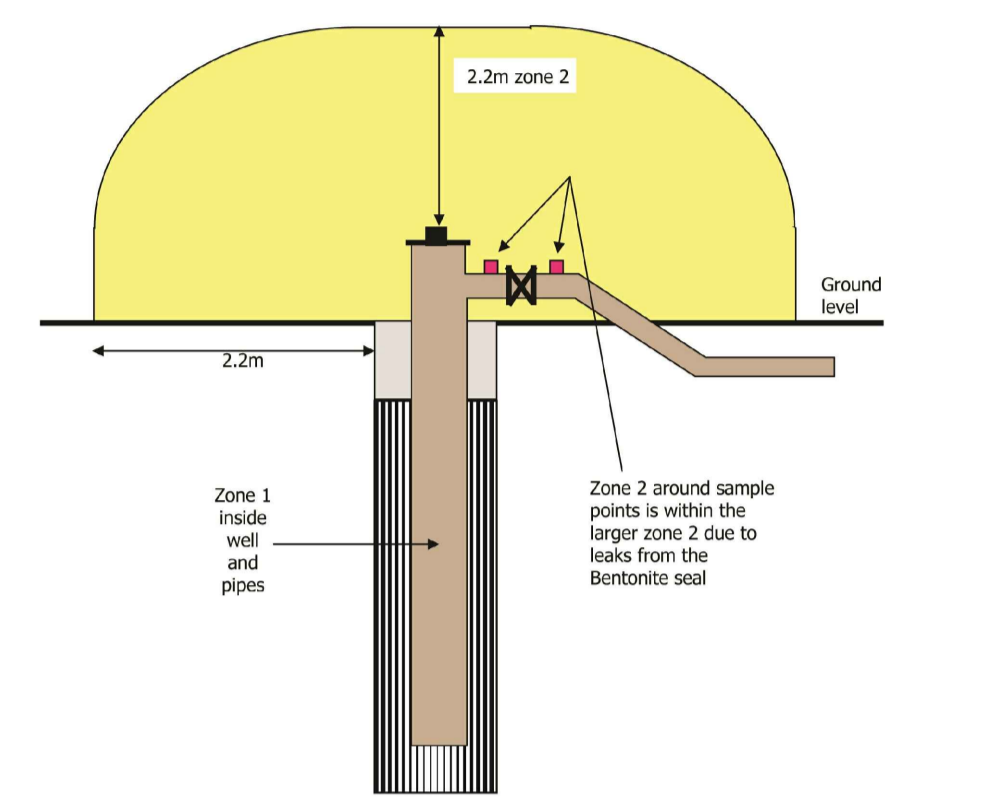


**Legend**

- Planning Application Site Boundary (5.85Ha)
- Proposed Landfill Capping Boundary
- Existing Railway Line
- N17
- Existing Overhead Power Lines and Poles
- Existing Ground Contour

1m Contours/NDVI/Aspect/Slope - © Bluesky International Ltd.

Note:  
See Drawing P21-287-0200-0002 for Typical Gas Infrastructure Details



If Applicable : Ordnance Survey Ireland Licence No. EN 0001220 © Ordnance Survey Ireland and Government of Ireland OSI-3258

**FEHILY TIMONEY** Cork | Dublin | Carlow  
www.fehilytimoney.ie

No part of this document may be reproduced or transmitted in any form or stored in any retrieval system of any nature without the written permission of Fehily Timoney & Company as copyright holder except as agreed for use on the project for which the document was originally issued. Do not scale. Use figured dimensions only. If in doubt - Ask!

Rev.	Description	App By	Date
A	ISSUE FOR PLANNING	J.O.N	17.05.22

**PROJECT**  
CLAREMORRIS CLOSED LANDFILL: NIS AND ABP PLANNING APPLICATION

**SHEET**  
HEALTH & SAFETY

CLIENT			
<b>MAYO COUNTY COUNCIL</b>			
Date	17.05.22	Project number	P21-287
Drawn by	NS	Drawing Number	P21-287-0100-0004
Checked by	J.O.N	Scale (@ A1)	1:750
		Rev	A

O:\ACAD\2021\P21-287\P21-287-0100-0004

Tuesday 17 May 2022