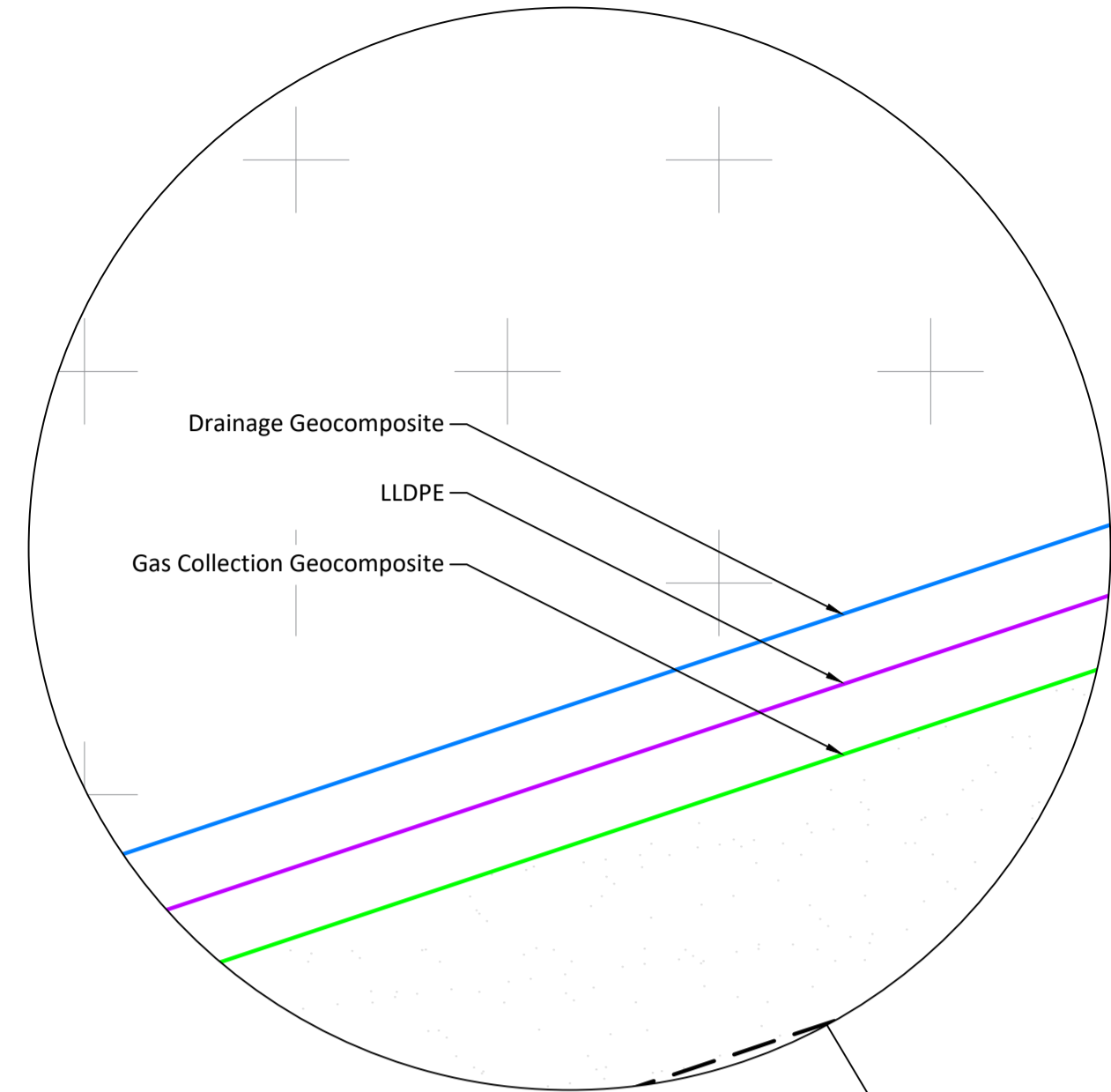


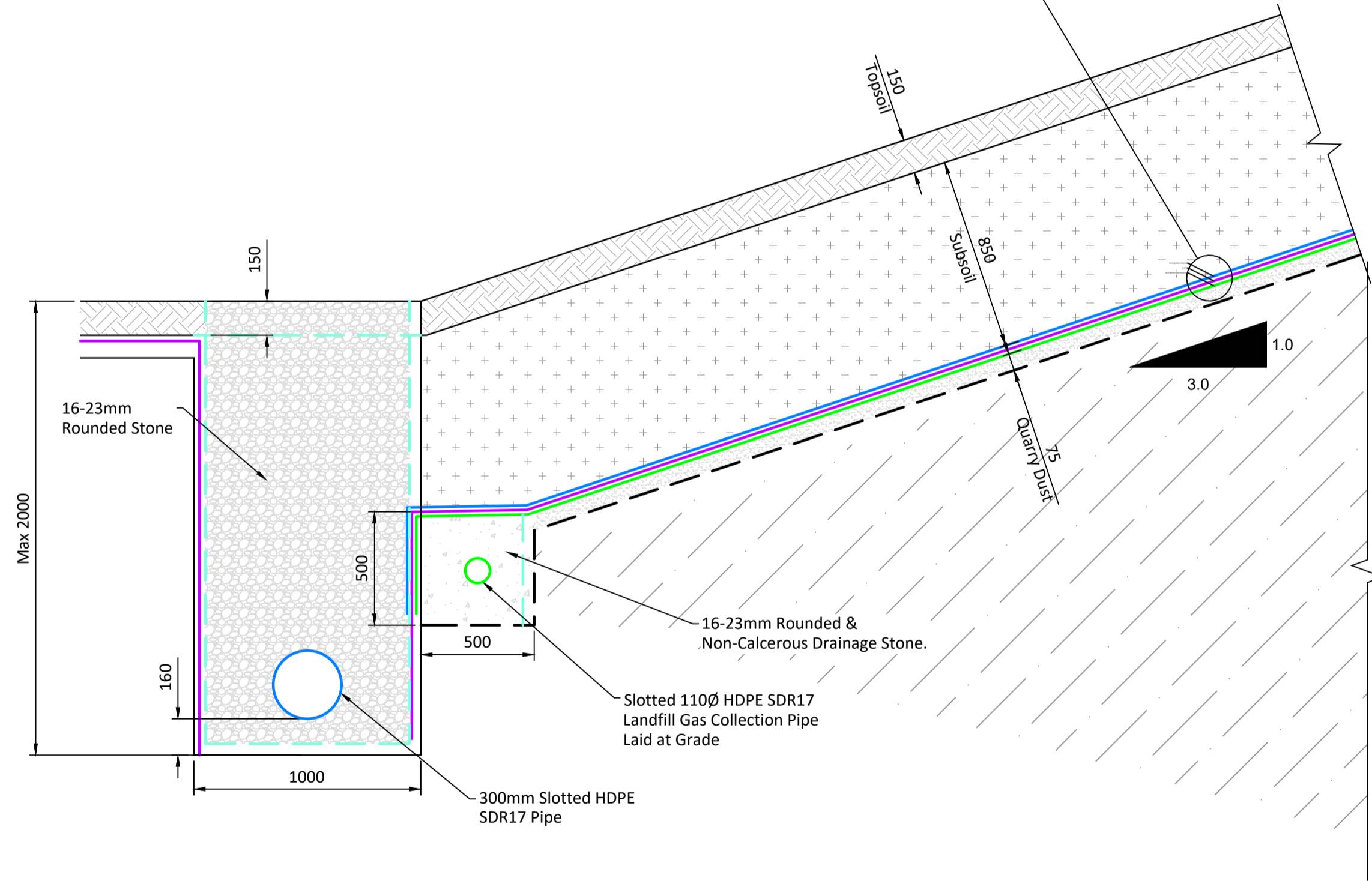
**Legend**

- Terram 500 or similar
- Drainage Geocomposite
- LLDPE
- Gas Collection Geocomposite
- Quarry Dust
- Waste
- Subsoil
- Topsoil
- Rounded & Non-Calcerous Drainage Stone
- CL804
- 6F1
- Formation Level

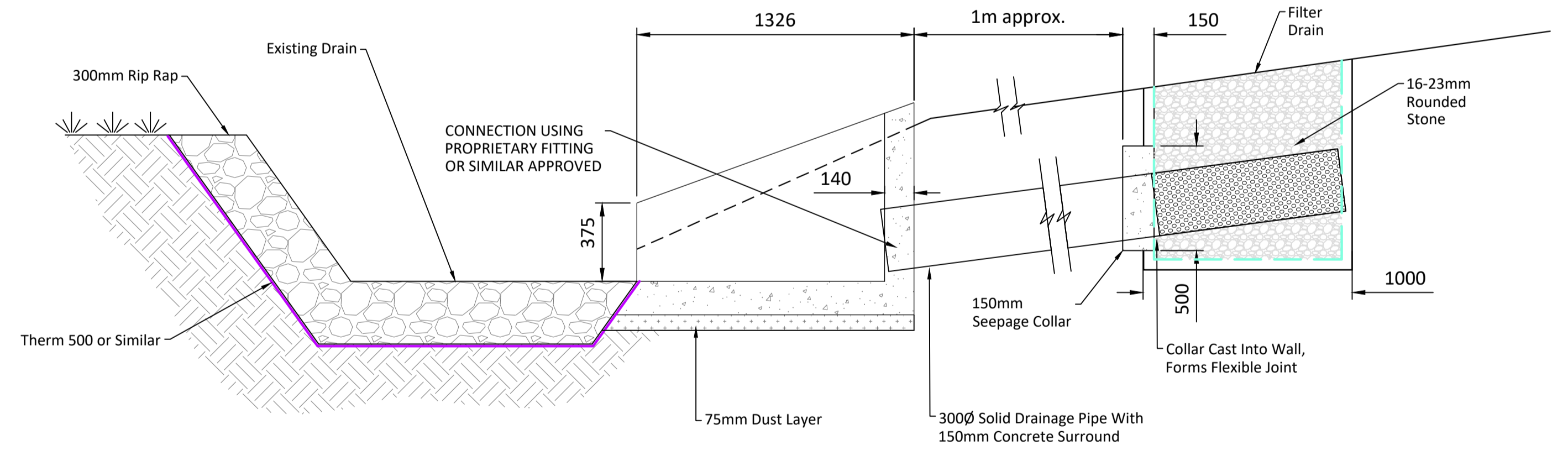
Proposed Drainage Layout  
Subject to Detail Design



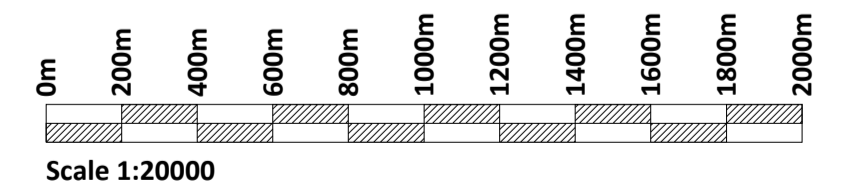
**DETAIL**  
1:2



**SECTION A-A**  
Scale 1:20



**SECTION B-B**  
Scale 1:20



If Applicable : Ordnance Survey Ireland Licence No. EN 0001220 © Ordnance Survey Ireland and Government of Ireland OSI-3258

**FEHILY TIMONEY** Cork | Dublin | Carlow  
www.fehilytimoney.ie

No part of this document may be reproduced or transmitted in any form or stored in any retrieval system of any nature without the written permission of Fehily Timoney & Company as copyright holder except as agreed for use on the project for which the document was originally issued. Do not scale. Use figured dimensions only. If in doubt - Ask!

Rev.	Description	App By	Date
A	ISSUE FOR PLANNING	J.O.N	17.05.22

<b>PROJECT</b>	<b>CLAREMORRIS CLOSED LANDFILL: NIS AND ABP PLANNING APPLICATION</b>			<b>CLIENT</b>	<b>MAYO COUNTY COUNCIL</b>			
<b>SHEET</b>	<b>PROPOSED SURFACE WATER SECTIONS</b>			Date	17.05.22	Project number	P21-287	
				Drawn by	NS	Drawing Number	<b>P21-287-0300-0002</b>	
				Checked by	J.O.N	Scale (@ A1-)		1:20000
							Rev	<b>A</b>

O:\ACAD\2021\P21-287\P21-287-0300-0002

Tuesday 17 May 2022